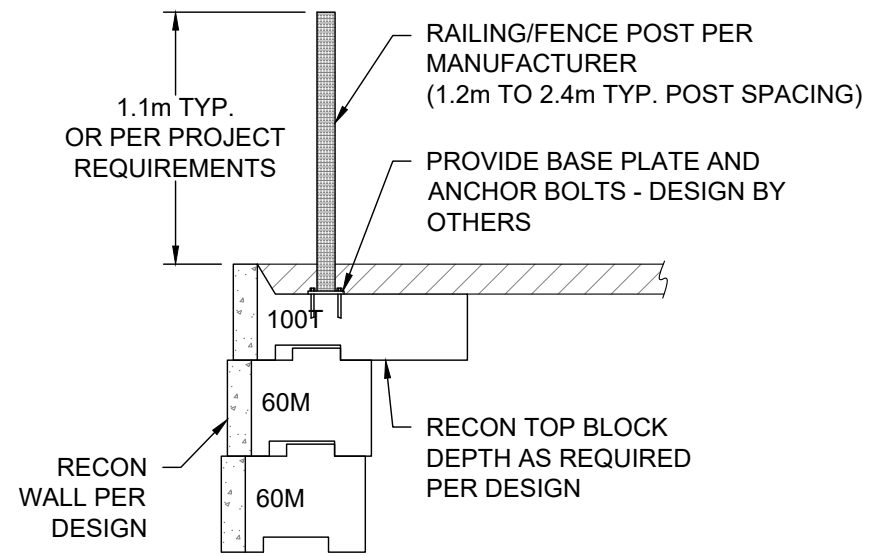
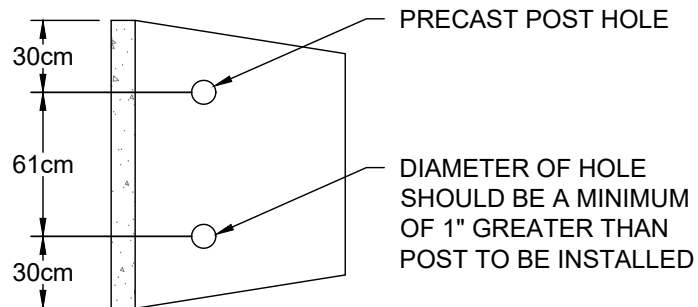


**FENCE/RAILING CONNECTION - OPTION 1
SECTION VIEW**



**FENCE/RAILING CONNECTION - OPTION 2
SECTION VIEW**



**FENCE/RAILING CONNECTION - OPTION 1
PLAN VIEW**

NOTES:

1. BLOCK MASS REQUIRED TO RESIST POST LOADING SHALL BE DETERMINED BY THE DESIGN ENGINEER.
2. MANUFACTURER/ENGINEER TO PROVIDE ADEQUATE POST AND FINAL CONNECTION REQUIREMENTS.
3. DETAILS SHOWN ARE FOR POST TO BLOCK CONNECTION OPTIONS. REFER TO DRAWING #502 BLOCK TO BLOCK CONNECTION.
4. CONNECTION OPTIONS SHOWN ARE FOR POST TO TOP BLOCK. CONNECTION WOULD BE SIMILAR WHEN ATTACHING TO RECON'S FULL HIGH CAP OR OTHER BLOCKS.
5. CHECK WITH LOCAL RECON PRODUCER FOR AVAILABILITY OF BLOCKS WITH PRECAST HOLES.

© Copyright 2021 Recon Wall Systems, Inc. All Rights Reserved

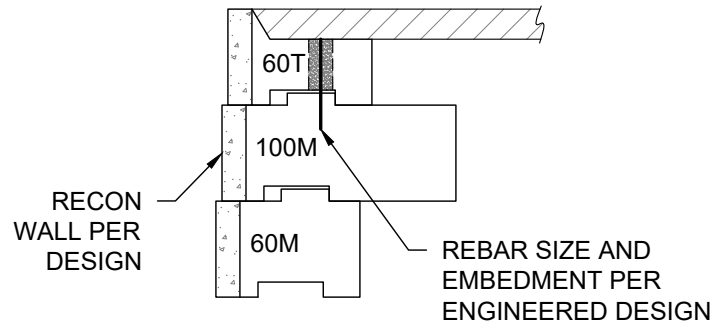
Disclaimer: This drawing has been prepared by Recon Wall Systems, Inc. and to the best of its knowledge, accurately represents the product use in the application that it is illustrated. This drawing is intended for conceptual purposes only. Anyone making use of this drawing does so at their own risk and assumes all liability for such use. Final design for construction purposes must be completed by a Registered Professional Engineer who is familiar with the product and who has taken into account specific site conditions.



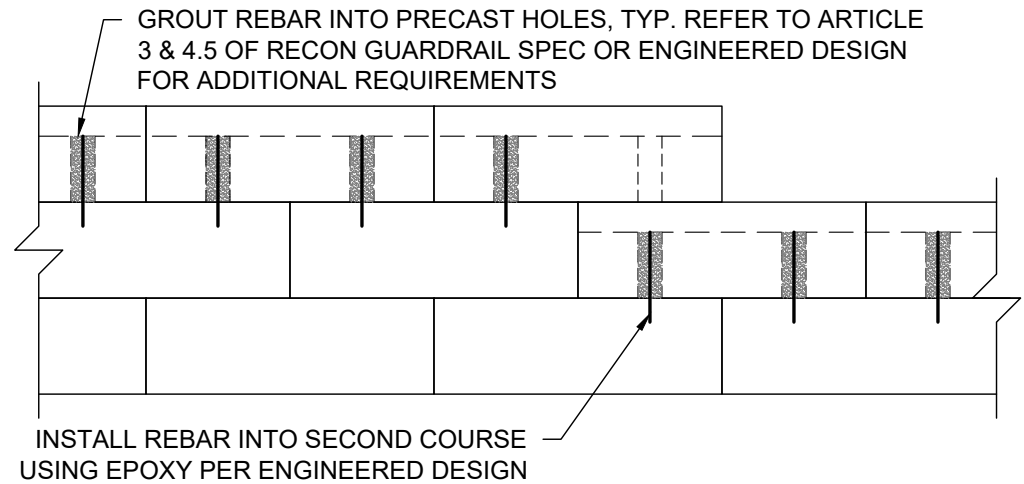
**RAILING/FENCE POST TO
BLOCK CONNECTION DETAILS**

RECON WALL SYSTEMS, INC.
11521 EAGLE STREET, SUITE #3
COON RAPIDS, MN 55448
952-922-0027
www.reconwalls.com

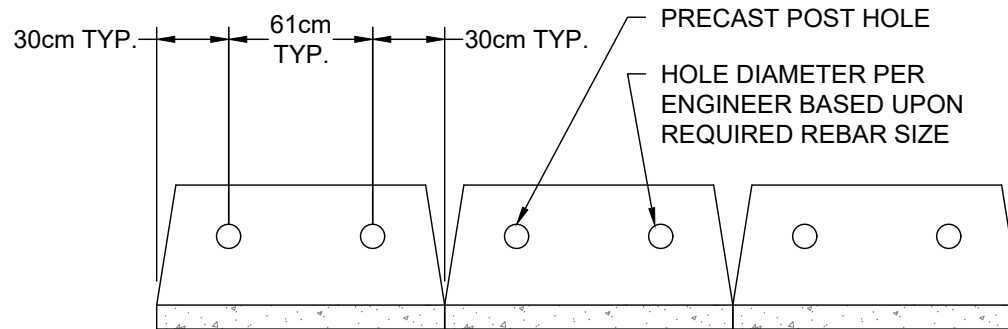
**DRAWING
#501**



SECTION VIEW



PROFILE VIEW



PLAN VIEW

NOTE: CONNECTION DETAIL SHOWN IS INTENDED TO VISUALLY DEPICT THE REQUIREMENTS FOR FASTENING TWO COURSES OF BLOCK TOGETHER. FINAL DESIGN FOR THE CONNECTION REQUIREMENTS INCLUDING SIZE, SPACING, EMBEDMENT AND EPOXY GROUTING REQUIREMENTS FOR THE REBAR ARE THE RESPONSIBILITY OF THE WALL DESIGN ENGINEER. CHECK WITH LOCAL RECON PRODUCER FOR AVAILABILITY OF BLOCKS WITH PRECAST HOLES.

© Copyright 2021 Recon Wall Systems, Inc. All Rights Reserved

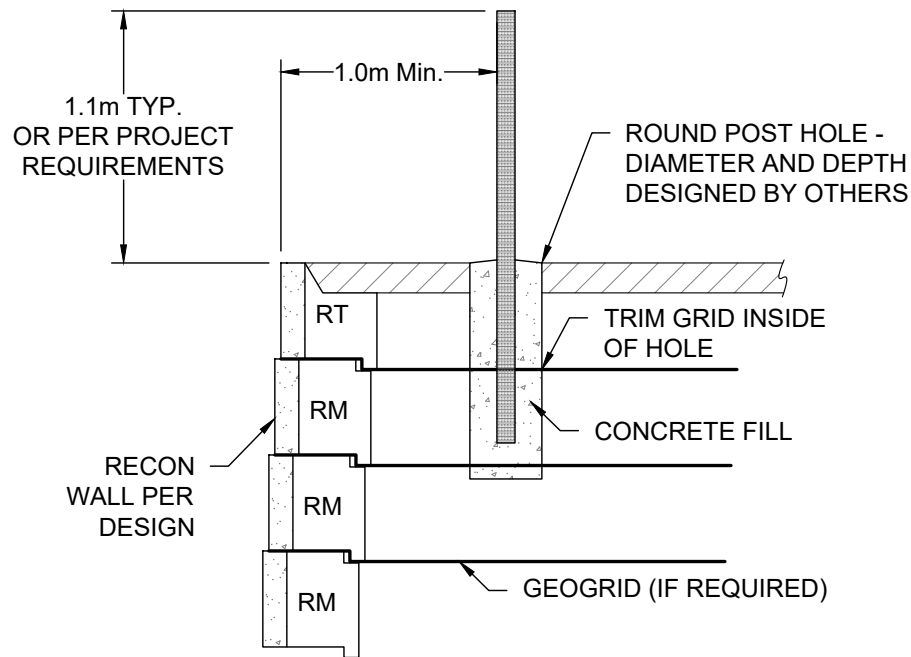
Disclaimer: This drawing has been prepared by Recon Wall Systems, Inc. and to the best of its knowledge, accurately represents the product use in the application that it is illustrated. This drawing is intended for conceptual purposes only. Anyone making use of this drawing does so at their own risk and assumes all liability for such use. Final design for construction purposes must be completed by a Registered Professional Engineer who is familiar with the product and who has taken into account specific site conditions.



**BLOCK TO BLOCK CONNECTION
OPTION 1 (REBAR)**

RECON WALL SYSTEMS, INC.
11521 EAGLE STREET, SUITE #3
COON RAPIDS, MN 55448
952-922-0027
www.reconwalls.com

**DRAWING
#502**



R-SERIES FENCE/RAILING POST DETAIL - OPTION 1
SECTION VIEW

© Copyright 2021 Recon Wall Systems, Inc. All Rights Reserved

Disclaimer: This drawing has been prepared by Recon Wall Systems, Inc. and to the best of its knowledge, accurately represents the product use in the application that it is illustrated. This drawing is intended for conceptual purposes only. Anyone making use of this drawing does so at their own risk and assumes all liability for such use. Final design for construction purposes must be completed by a Registered Professional Engineer who is familiar with the product and who has taken into account specific site conditions.



**R-SERIES RAILING/FENCE
POST DETAIL**

RECON WALL SYSTEMS, INC.
11521 EAGLE STREET, SUITE #3
COON RAPIDS, MN 55448
952-922-0027
www.reconwalls.com

**DRAWING
#503**

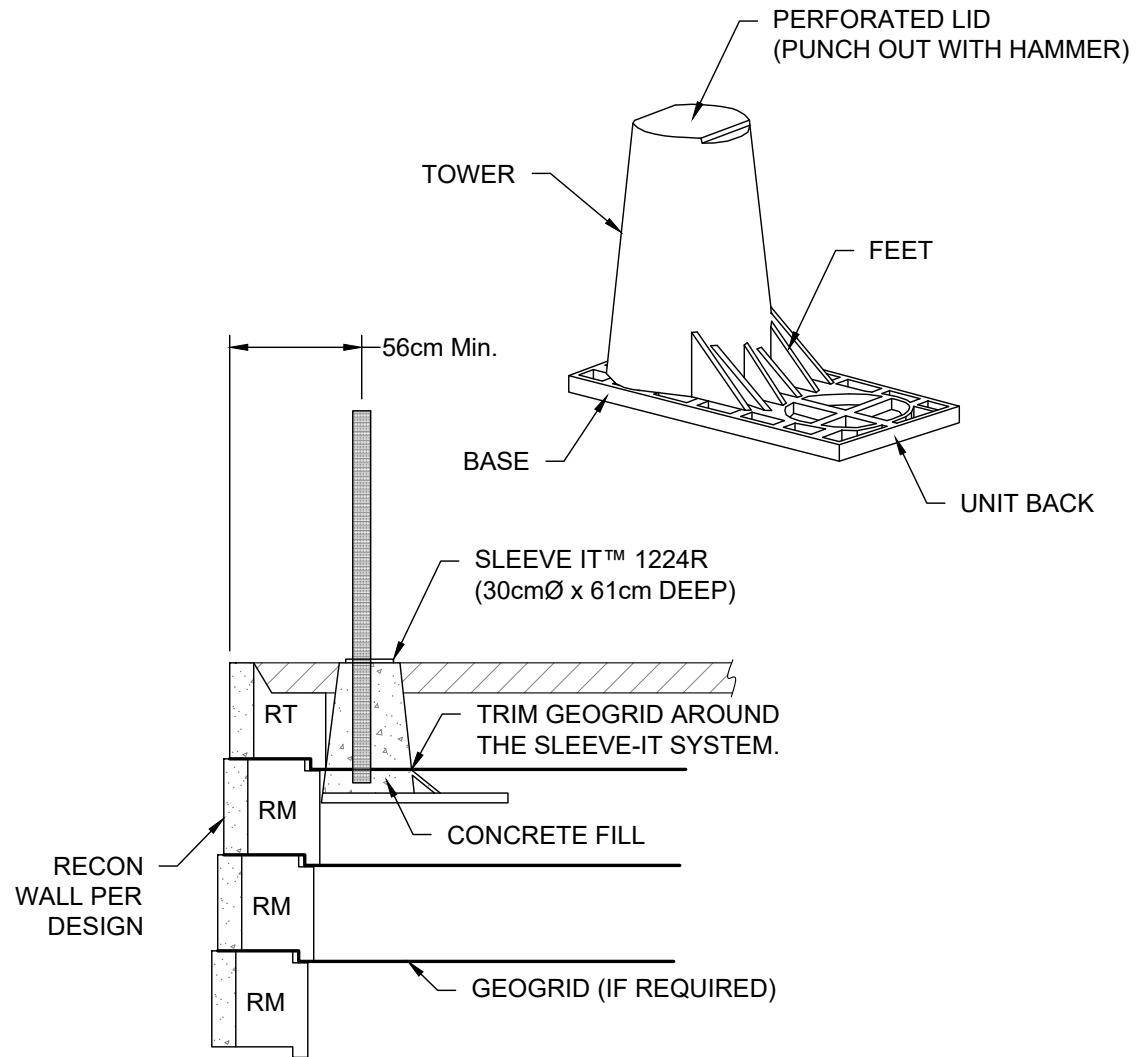
SLEEVE-IT NOTES:

1. PREPARE A LEVEL SPACE 60cm WIDE AND 0.9m DEEP BEHIND THE PROPOSED TOP OF WALL.
2. PLACE THE SLEEVE-IT POST FOUNDATIONS AGAINST THE BACK FACE OF THE UPPER COURSES AND SPACE PROPERLY.
3. POSTS SHOULD EXTEND A MINIMUM DISTANCE OF 45cm INTO THE SLEEVE.
4. BACKFILL ABOVE AND SURROUNDING THE SLEEVE-IT™ SYSTEM MUST BE COMPACTED TO A MINIMUM OF 95% OF THE MATERIALS MAXIMUM DRY DENSITY AS DETERMINED BY ASTM D-698 (STANDARD PROCTOR).
5. THE SLEEVE IT™ PRODUCT SHALL BE EVENLY SPACED NO FARTHER THAN 2.4m APART ON CENTERS IN ANY CASE. USE OF THE SLEEVE IT™ SYSTEM IS LIMITED TO THE FOLLOWING FENCING APPLICATIONS WITHOUT CONSIDERATION OF WIND LOAD:

- 2.4-METERS HIGH AND UNDER CHAIN LINK FENCES
- 1.8-METERS HIGH AND UNDER WOOD FENCES WITH GAPS BETWEEN BOARDS
- 1.8-METERS HIGH AND UNDER BALUSTRADED PVC, STEEL, ALUMINUM OR WROUGHT IRON FENCES.

FOR OTHER FENCING SYSTEMS SPECIFICALLY NOT MEETING THESE CRITERIA, CONTACT STRATA SYSTEMS INC. TO DETERMINE SUITABILITY.

phone: 1 (800) 680-7750 or
email: strata@geogrid.com



**R-SERIES FENCE/RAILING POST DETAIL - OPTION 2
SECTION VIEW**

© Copyright 2021 Recon Wall Systems, Inc. All Rights Reserved

Disclaimer: This drawing has been prepared by Recon Wall Systems, Inc. and to the best of its knowledge, accurately represents the product use in the application that it is illustrated. This drawing is intended for conceptual purposes only. Anyone making use of this drawing does so at their own risk and assumes all liability for such use. Final design for construction purposes must be completed by a Registered Professional Engineer who is familiar with the product and who has taken into account specific site conditions.



**R-SERIES SLEEVE-IT
FENCE POST DETAIL**

RECON WALL SYSTEMS, INC.
11521 EAGLE STREET, SUITE #3
COON RAPIDS, MN 55448
952-922-0027
www.reconwalls.com

**DRAWING
#504**